

**Integration with Global DAQ**  
*The TTS (Trigger & Throttling System) Test*

Souvik Das  
(Cornell University)

# Prerequisites for Participation in a Global Run

- ✓ Pass the TTS Test with Global DAQ
  - 25 October 2007
- Pass the SLink Test with Global DAQ
  - Scheduled for 30 October 2007

# The TTS Test (aka the Connectivity Test)

- **Local TTS Test**

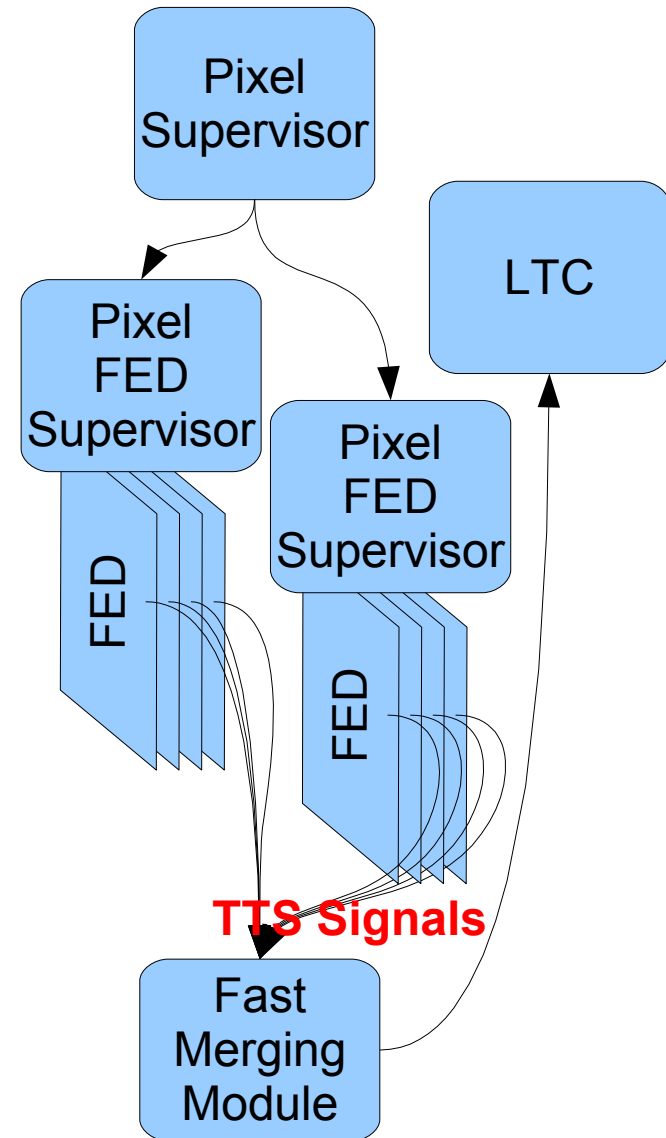
- ✓ Two PixelFEDSupervisors could be used to fire TTS states of all 32 FEDs.

- ✓ Monitor TTS states of all FEDs using the FMM Controller. FED ID 22 was seen to be broken. (Replaced today.)

- ✓ Made sure that the merged TTS signal was reaching the LTC.

- ✓ PixelSupervisor could be used to control both PixelFEDSupervisors. TTS states in all 32 FEDs could be fired from PixelSupervisor.

- ✓ PixelFunctionManager could be used to spawn XDAQ Executives on 3 CPUs, load PixelSupervisor and two PixelFEDSupervisors in the appropriate CPUs. PixelFunctionManager could hence control PixelSupervisor and fire TTS states in all 32 FEDs. (At this point a DAQ Configuration had been created in the *Resource Service Database*.)



# The TTS Test (aka the Connectivity Test)

- **Global TTS Test**

- ✓Registered our DAQ Configuration as part of the Global DAQ Configuration in *Resource Service Database*.

- ✓Allowed Global DAQ's Level 0 Function Manager spawn our PixelFunctionManager, PixelSupervisor and PixelFEDSupervisor.

- ✓Level 0 FM could send all possible permutations of TTS signals to all the 32 FEDs except # 22 and verified that TTS signals were seen at the FMM.

- ✓Pixels were certified to have passed the TTS Test.

